

Nominal data

| | | |
|--------------------------|-------------------|------|
| Type | 4656 N | |
| Phase | | 1~ |
| Nominal voltage | VAC | 230 |
| Frequency | Hz | 50 |
| Speed | min ⁻¹ | 2650 |
| Power input | W | 19.0 |
| Min. ambient temperature | °C | -40 |
| Max. ambient temperature | °C | 85 |
| Air flow | m ³ /h | 160 |
| Sound power level | B | 5.5 |
| Sound pressure level | dB(A) | 47 |

ml = Max. load · me = Max. efficiency · fa = Running at free air · cs = Customer specs · cu = Customer unit
Subject to alterations

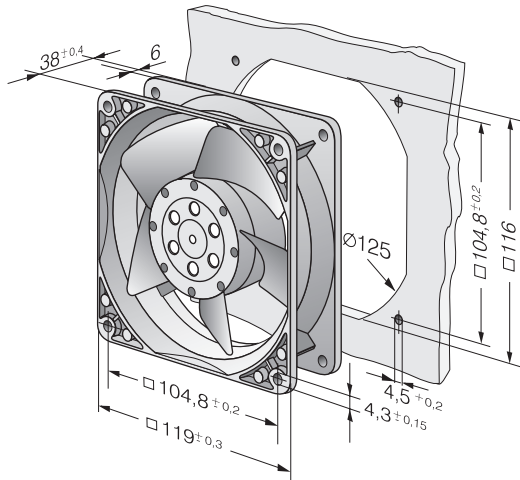
Technical features

| | |
|--|---|
| Mass | 0.550 kg |
| Dimensions | 119 x 119 x 38 mm |
| Material of impeller | Sheet steel, coated in black |
| Housing material | Die-cast aluminium |
| Direction of air flow | Intake over struts |
| Direction of rotation | Right, looking at rotor |
| Bearing | Ball bearings |
| Lifetime L10 at 40 °C | 37500 h |
| Lifetime L10 at maximum temperature | 15000 h |
| Connection line | 2 flat plugs 3.0 x 0.5 mm. Housing with grounding lugs for screw M4 and UNC. |
| Motor protection | Protected from overload using impedance protection |
| Approval | VDE, CSA, UL, CE |
| Option | Variants optionally available with reinforced mounting flanges and customizable single-strand wiring. |

4656 N

AC axial compact fan

Product drawing



Charts: Air flow

